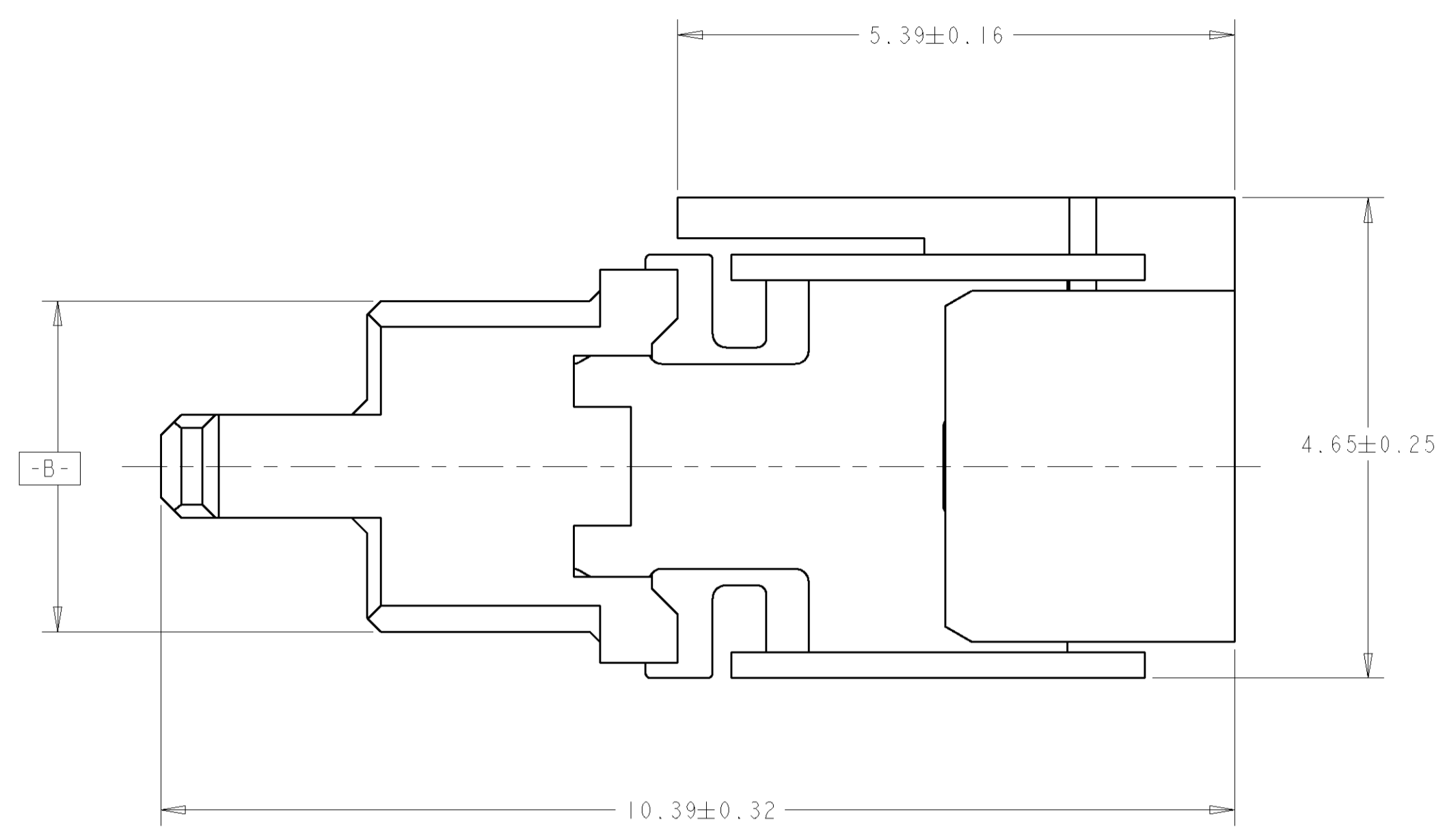
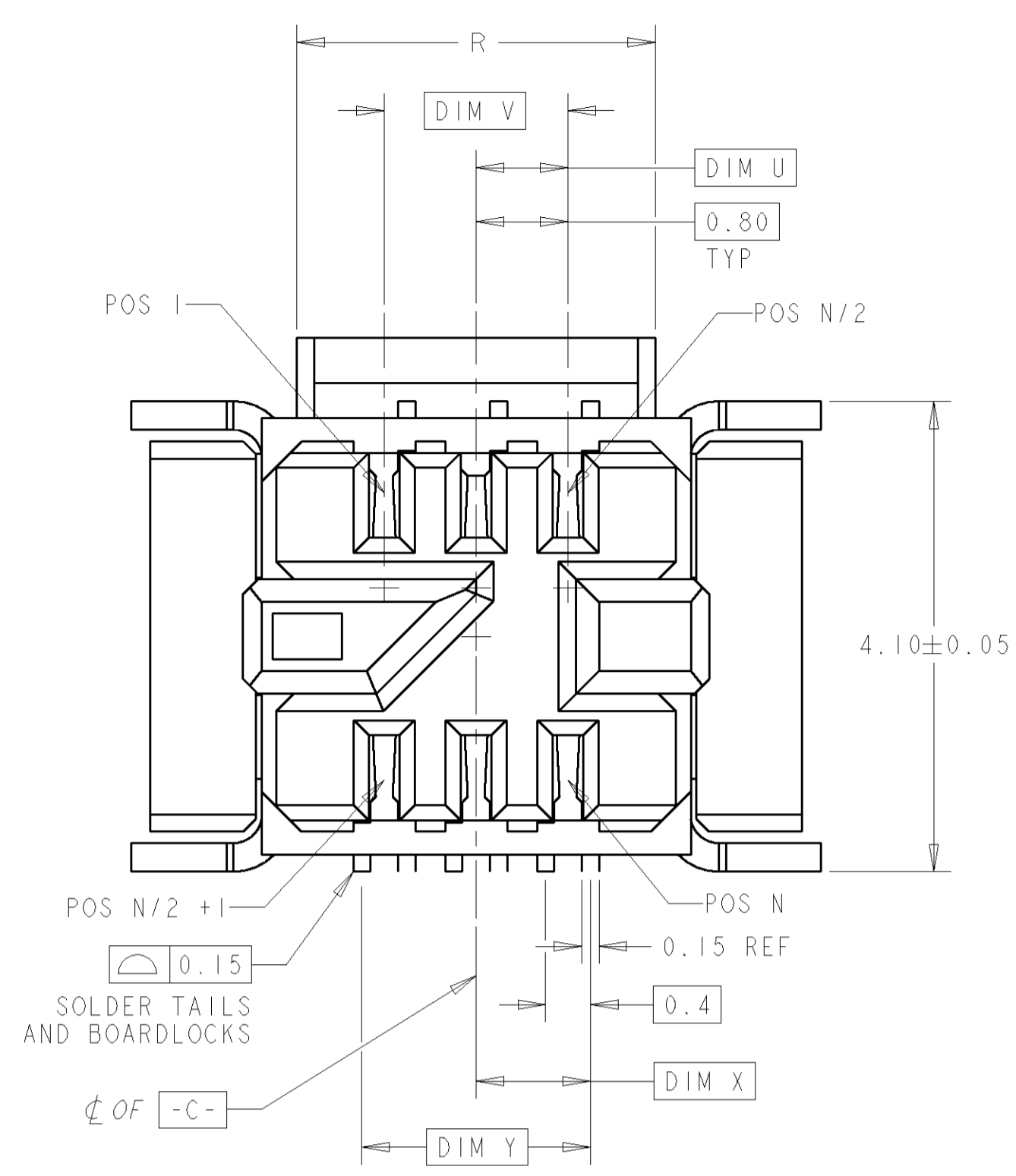
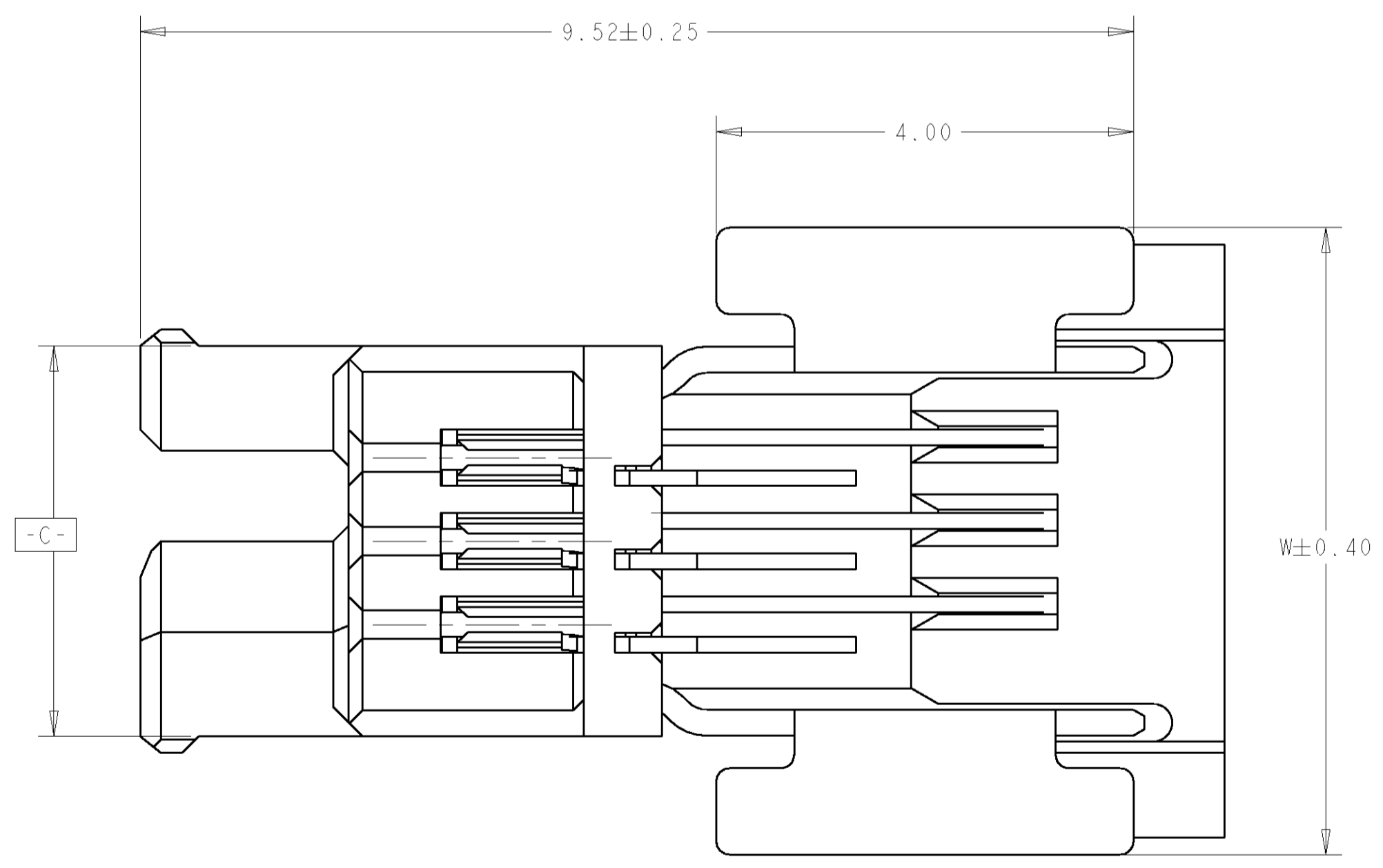
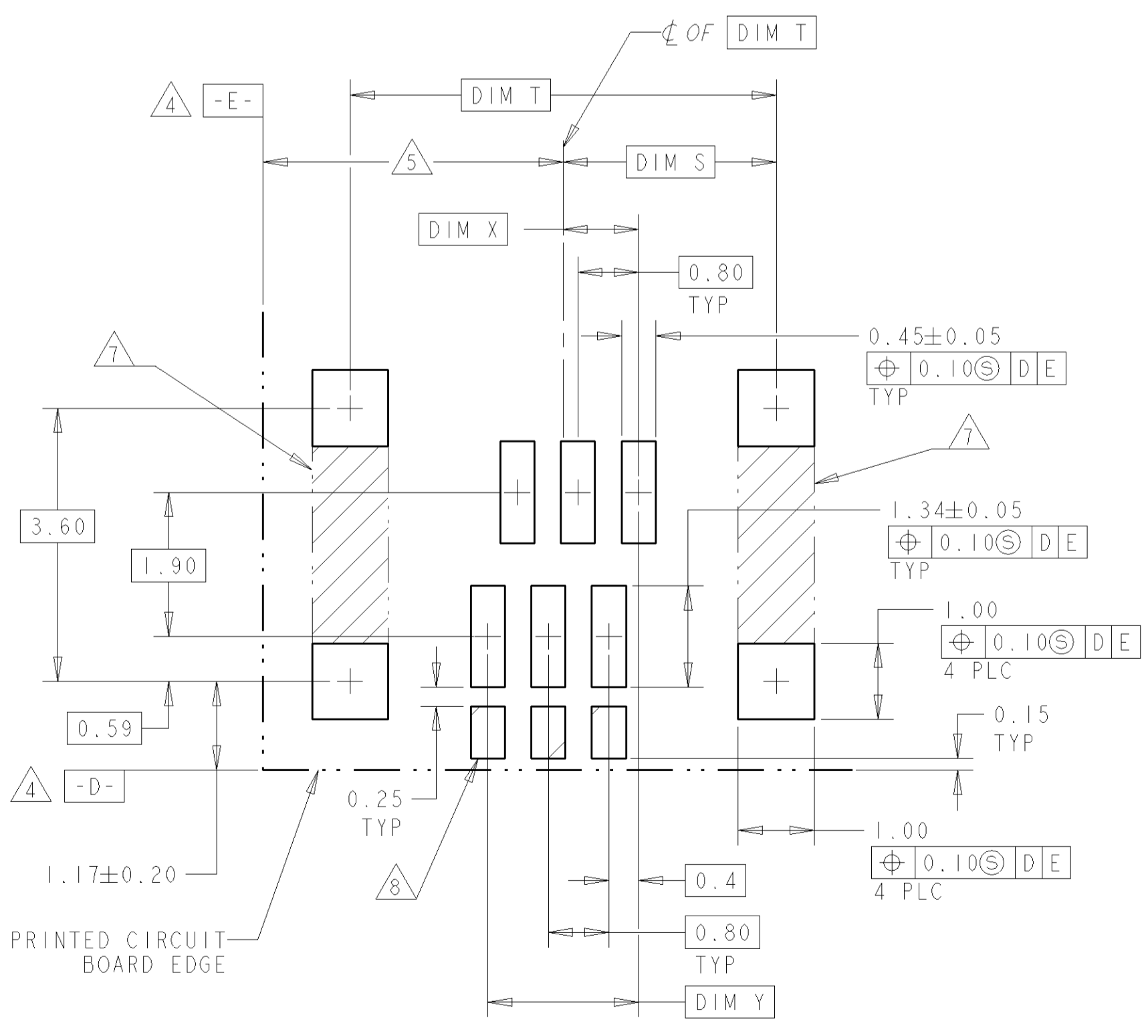


REVISONS		DATE	DWN	APVD
0	RELEASED PER 063C-0078-03	07AUG03	RB	JM
A	063C-0756-04	23FEB2006	RB	DR



- 1 HOUSING & ORGANIZER MATERIAL; UL94 V-0 RATED LCP, COLOR: NATURAL
CONTACT MATERIAL; PHOS BRONZE
BOARDLOCK MATERIAL; BRASS
- 2 CONTACT PLATING; 0.76 μm MIN GOLD IN MATING AREA
2.54μm - 5.08μm MATTE TIN LEAD IN SOLDER AREA.
BOTH OVER 1.27μm MIN NICKEL ON ENTIRE STOCK.
- 3 BOARDLOCK PLATING; 3.8 μm MIN BRIGHT TIN/LEAD ON ENTIRE STOCK
OVER 1.27 μm MIN NICKEL ON ENTIRE STOCK.
- 4 DATUM ESTABLISHED BY CUSTOMER.
- 5 BASIC DIMENSIONS ESTABLISHED BY CUSTOMER.
- 6 THIS PRODUCT HAS NOT COMPLETED VALIDATION TESTING.
- 7 NO TRACES ON EXTERNAL BOARD LAYER IN THIS AREA, KEEPOUT.
- 8 NO SOLDER PASTE PERMITTED ON THESE PADS.
- 9 CONTACT PLATING; 0.76 μm MIN GOLD IN MATING AREA
2.54μm - 5.08μm TIN IN SOLDER AREA.
BOTH OVER 1.27μm MIN NICKEL ON ENTIRE STOCK.
- 10 BOARDLOCK PLATING; 3.8 μm MIN TIN ON ENTIRE STOCK
OVER 1.27 μm MIN NICKEL ON ENTIRE STOCK.
- 11 ROHS 2002/95/EC COMPLIANT.



FINISH	R	DIM S	DIM T	DIM U	DIM V	W	DIM X	DIM Y	NO. OF POS N	PART NUMBER
16.72	9.61	19.22	7.60	15.20	19.61	7.8	15.6	40	6-1445297-8	
15.92	9.21	18.42	7.20	14.40	18.81	7.4	14.8	38	6-1445297-7	
15.12	8.81	17.62	6.80	13.60	18.01	7.0	14.0	36	6-1445297-6	
14.32	8.41	16.82	6.40	12.80	17.21	6.6	13.2	34	6-1445297-5	
13.52	8.01	16.02	6.00	12.00	16.41	6.2	12.4	32	6-1445297-4	
12.72	7.61	15.22	5.60	11.20	15.61	5.8	11.6	30	6-1445297-3	
11.92	7.21	14.42	5.20	10.40	14.81	5.4	10.8	28	6-1445297-2	
11.12	6.81	13.62	4.80	9.60	14.01	5.0	10.0	26	6-1445297-1	
10.32	6.41	12.82	4.40	8.80	13.21	4.6	9.2	24	6-1445297-0	
9.52	6.01	12.02	4.00	8.00	12.41	4.2	8.4	22	5-1445297-9	
8.72	5.61	11.22	3.60	7.20	11.61	3.8	7.6	20	5-1445297-8	
7.92	5.21	10.42	3.20	6.40	10.81	3.4	6.8	18	5-1445297-7	
7.12	4.81	9.62	2.80	5.60	10.01	3.0	6.0	16	5-1445297-6	
6.32	4.41	8.82	2.40	4.80	9.21	2.6	5.2	14	5-1445297-5	
5.52	4.01	8.02	2.00	4.00	8.41	2.2	4.4	12	5-1445297-4	
4.72	3.61	7.22	1.60	3.20	7.61	1.8	3.6	10	5-1445297-3	
3.92	3.21	6.42	1.20	2.40	6.81	1.4	2.8	8	5-1445297-2	
3.12	2.81	5.62	0.80	1.60	6.01	1.0	2.0	6	5-1445297-1	
16.72	9.61	19.22	7.60	15.20	19.61	7.8	15.6	40	1-1445297-8	
15.92	9.21	18.42	7.20	14.40	18.81	7.4	14.8	38	1-1445297-7	
15.12	8.81	17.62	6.80	13.60	18.01	7.0	14.0	36	1-1445297-6	
14.32	8.41	16.82	6.40	12.80	17.21	6.6	13.2	34	1-1445297-5	
13.52	8.01	16.02	6.00	12.00	16.41	6.2	12.4	32	1-1445297-4	
12.72	7.61	15.22	5.60	11.20	15.61	5.8	11.6	30	1-1445297-3	
11.92	7.21	14.42	5.20	10.40	14.81	5.4	10.8	28	1-1445297-2	
11.12	6.81	13.62	4.80	9.60	14.01	5.0	10.0	26	1-1445297-1	
10.32	6.41	12.82	4.40	8.80	13.21	4.6	9.2	24	1-1445297-0	
9.52	6.01	12.02	4.00	8.00	12.41	4.2	8.4	22	1445297-9	
8.72	5.61	11.22	3.60	7.20	11.61	3.8	7.6	20	1445297-8	
7.92	5.21	10.42	3.20	6.40	10.81	3.4	6.8	18	1445297-7	
7.12	4.81	9.62	2.80	5.60	10.01	3.0	6.0	16	1445297-6	
6.32	4.41	8.82	2.40	4.80	9.21	2.6	5.2	14	1445297-5	
5.52	4.01	8.02	2.00	4.00	8.41	2.2	4.4	12	1445297-4	
4.72	3.61	7.22	1.60	3.20	7.61	1.8	3.6	10	1445297-3	
3.92	3.21	6.42	1.20	2.40	6.81	1.4	2.8	8	1445297-2	
3.12	2.81	5.62	0.80	1.60	6.01	1.0	2.0	6	1445297-1	

PC BOARD LAYOUT
SCALE 15:1

DIMENSIONS:		TOLERANCES UNLESS OTHERWISE SPECIFIED:		DWN R. L. ROLLER 14MAY2001		APVD L. BREKOSKY 07AUG2001		Tyco Electronics Harrisburg, PA 17105-3608	
mm		0 PLC ±		PRODUCT SPEC		APPLICATION SPEC		AMPMODU MICRO INTERCONNECT RECEPTACLE ASSEMBLY, RIGHT ANGLE	
MATERIAL		FINISH		WEIGHT		SCALE		RESTRICTED TO	
SEE TABLE		SEE TABLE		-		A 00779 C=1445297		-	
CUSTOMER DRAWING		SCALE 20:1		SHEET 1 OF 1		REV A			